

Escale Vessels basin

19047W

Product Description: Countertop vessel basin,
no tap hole

Product Dimensions: W410 x D410 mm

Colour/Finish: White

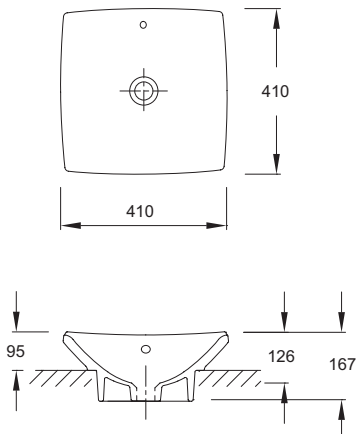
Material: Fireclay

Product Weight (kg): 8.9

Guarantee (Years): 25

Additional Information: Rinse thoroughly and use a soft cloth to wipe the product dry after use. Soft abrasive cleaners may be used when necessary to clean vitreous china products. Strong abrasive cleaners will scratch and dull the surface. Wipe any splashes of cleaning solutions from plastic or plated surfaces immediately.

Dimensions (mm)



Kohler UK

Sales and Technical: +44 (0) 844 571 0048

info@kohler.co.uk

www.KOHLER.co.uk

THE BOLD LOOK
OF **KOHLER**®